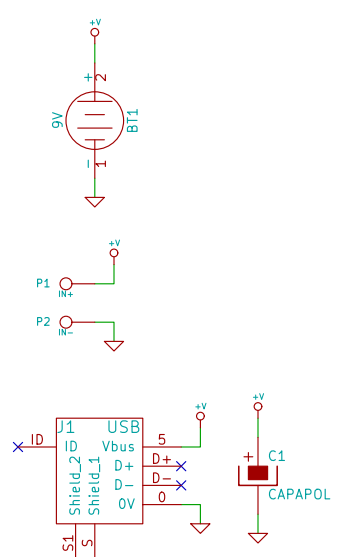
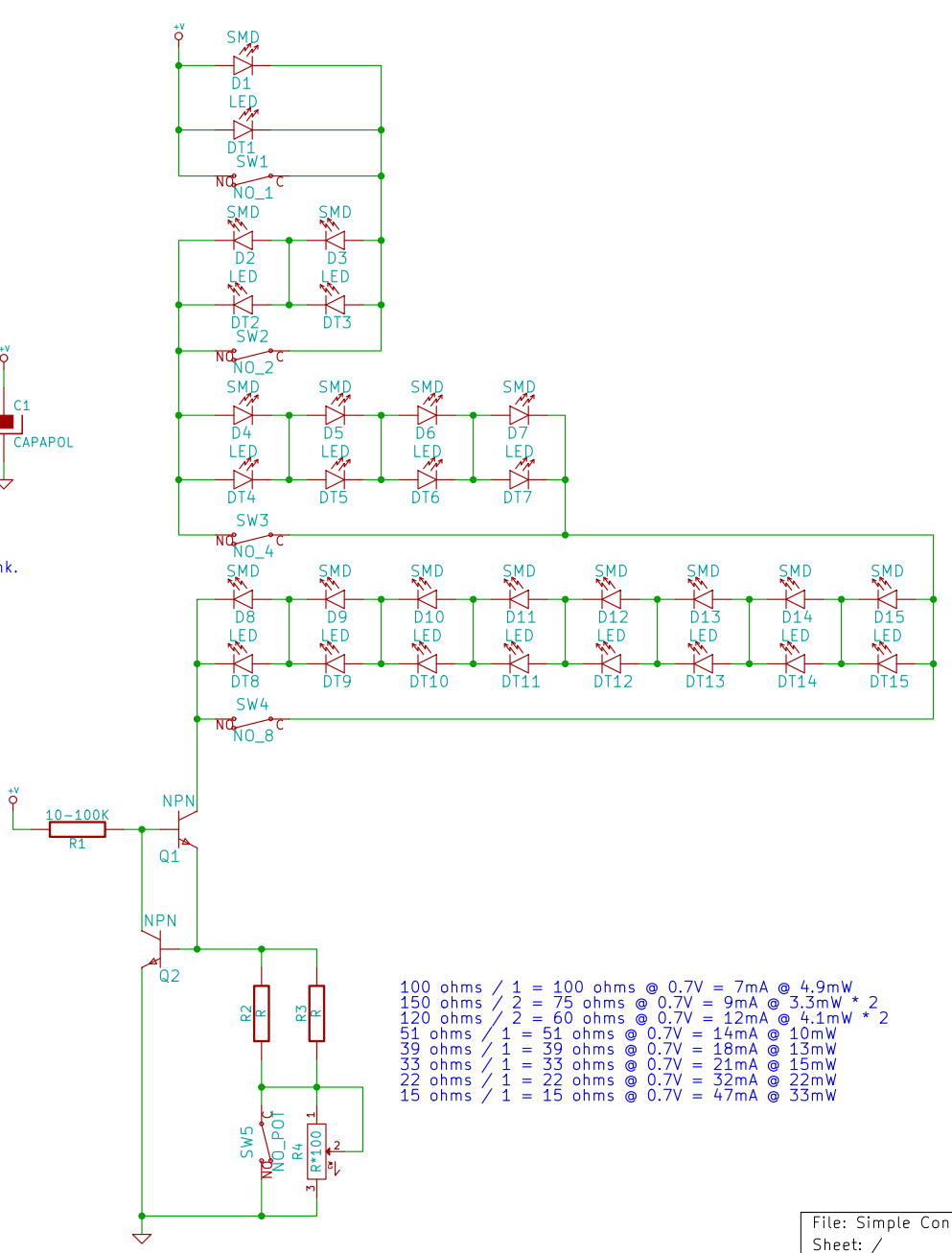


MOUNTING MOUNTING  
MNT1 MNT2  
MOUNTING MOUNTING  
MNT3 MNT4



Note: isolate power input and capacitor from rest of circuit by fine, fuse link.



100 ohms	/	1	=	100 ohms	@	0.7V	=	7mA	@	4.9mW
150 ohms	/	2	=	75 ohms	@	0.7V	=	9mA	@	3.3mW * 2
120 ohms	/	2	=	60 ohms	@	0.7V	=	12mA	@	4.1mW * 2
51 ohms	/	1	=	51 ohms	@	0.7V	=	14mA	@	10mW
39 ohms	/	1	=	39 ohms	@	0.7V	=	18mA	@	13mW
33 ohms	/	1	=	33 ohms	@	0.7V	=	21mA	@	15mW
22 ohms	/	1	=	22 ohms	@	0.7V	=	32mA	@	22mW
15 ohms	/	1	=	15 ohms	@	0.7V	=	47mA	@	33mW

Checklist:  
\* ERC on schematic.  
\* Print schematic.

File: Simple Constant Current Driver.sch		
Sheet: /		
Title: \$Revision: 1.5 \$ \$Date: 2017/11/29 19:37:23 \$ by Jason Olshefsky		
Size: User	Date: 29 nov 2017	Rev:
KiCad E.D.A.		Id: 1/1